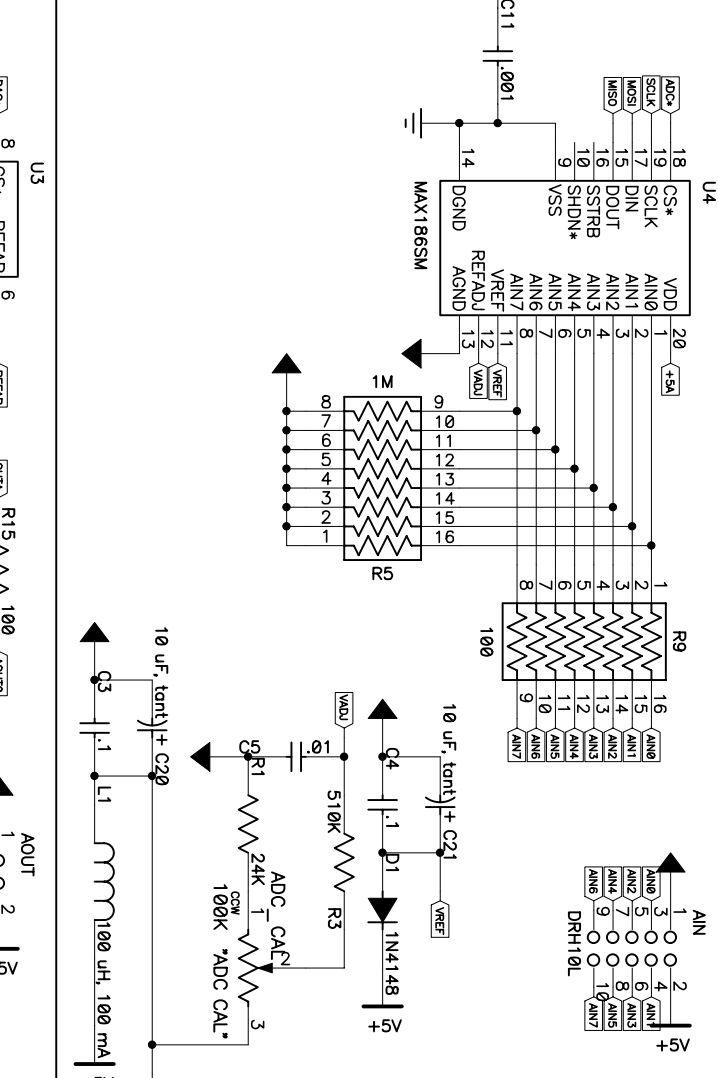


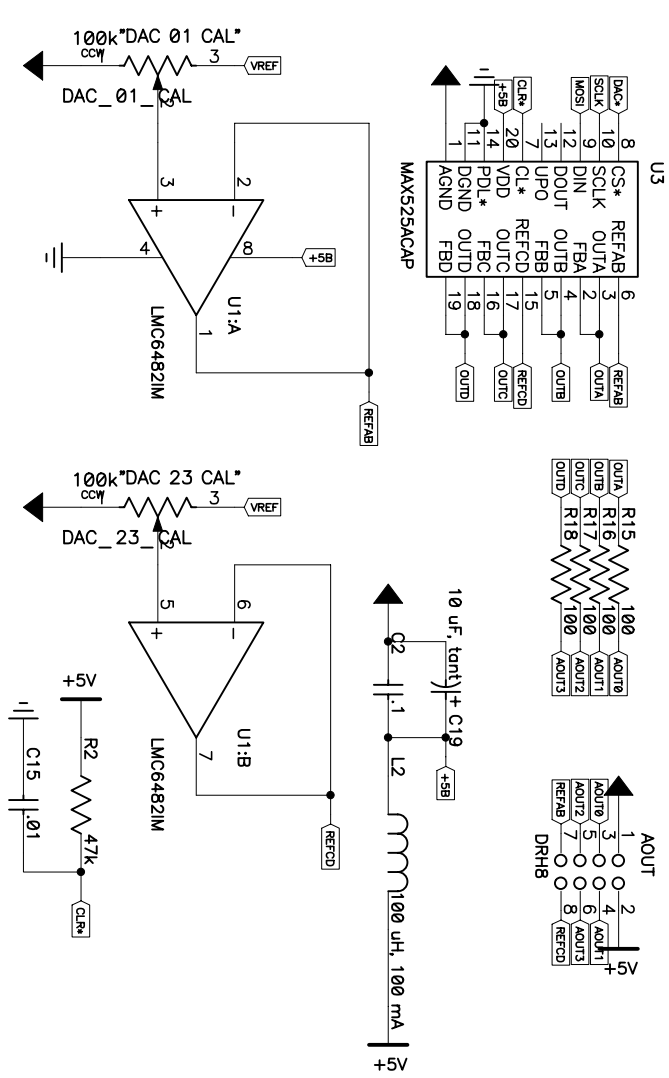
Can be mapped at any two addresses less than 8.

Install one only



Rev 1.2  
Capacitor C11 added.  
Capacitors C6 thru C9 values changed to 100pF.  
Inductor pin spacing corrected.

Rev 1.3  
10 pin locking connectors updated to currently available type.  
Fiducials added.



do not install these components for VADC12